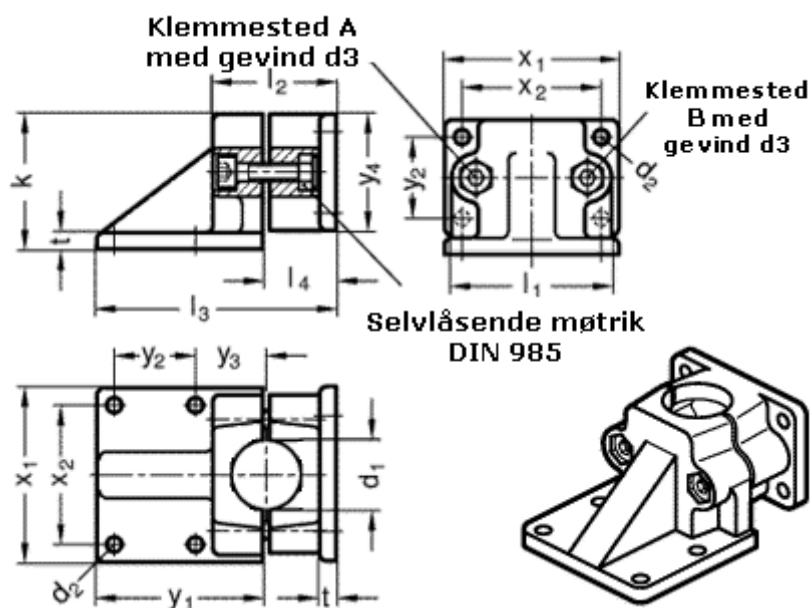


Article number: 20171B422BL

Description: E+G

Corner base clamps GN167-B42-2-BL

Measures



| | |
|----------|----------|
| d1 = B42 | t = 14 |
| d2 = 11 | x1 = 115 |
| d3 = M10 | x2 = 90 |
| k = 91 | y1 = 108 |
| l1 = 98 | y2 = 50 |
| l2 = 82 | y3 = 45 |
| l3 = 156 | y4 = 76 |
| l4 = 47 | |